

**DESCRIPTION:**

AMC MODEL SWN-218-2DR-STD OPTION 14F, HI90DB IS A SINGLE POLE TWO THROW, REFLECTIVE SWITCH MODULE WITH VERY HIGH ISOLATION, LOW LOSS, HIGH SPEED AND WITH INTEGRAL TTL DRIVER, DESIGNED FOR BROAD BAND OPERATIONS.

REVISIONS				
ZONE	REV.	DESCRIPTION	DATE	APPROVED
	-	ORIGINAL RELEASE	10/25/07	

**SPECIFICATIONS**

- FREQUENCY RANGE:..... 13 TO 14 GHz
- INSERTION LOSS:..... 2.5 dB MAXIMUM
- ISOLATION:..... 13 TO 14 GHz - 90 dB MINIMUM
- VSWR:..... 13 TO 14 GHz - 2.0:1 MAXIMUM
- SPEED:..... RISE: 10ns TYPICAL, 15 ns MAXIMUM  
FALL: 10ns TYPICAL, 15 ns MAXIMUM  
DELAY ON: 75ns TYPICAL, 100 ns MAXIMUM  
DELAY OFF: 75ns TYPICAL, 100 ns MAXIMUM
- POWER INPUT:..... (CW)+20 dBm (STANDARD), +10 dBm (HIGH SPEED)
- SURVIVAL POWER:..... 1 WATT CW, 10 W PEAK (1 uSEC )
- CONTROL:..... TTL LOGIC "0"= J1-J2 ON, "1"=J1-J3 ON
- POWER SUPPLY:..... +5V @ 100 mA MAXIMUM  
-5V @ 75 mA MAXIMUM
- CONNECTORS:  
RF:..... SMA FEMALE  
CONTROL:..... SOLDER PIN

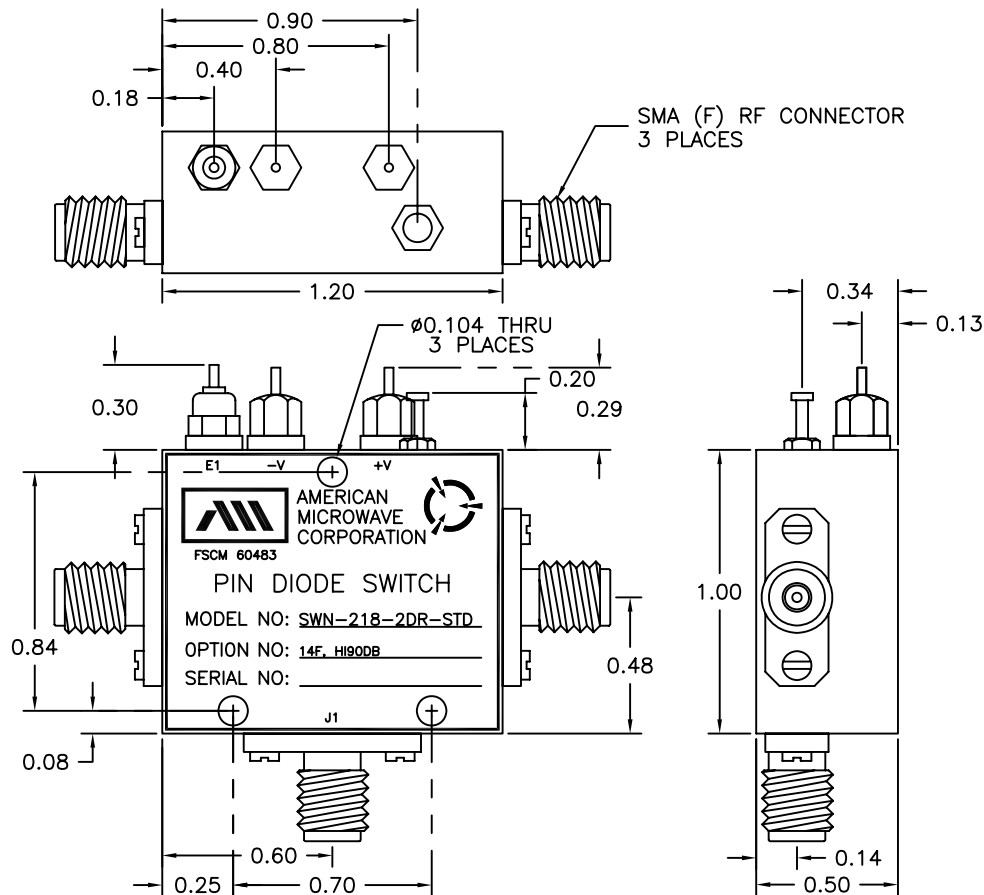
**OPTIONS:**

- 14F ..... OPTIMIZED FREQUENCY 13.910 GHZ +/-50MHZ
- HI90DB ..... HIGH ISOLATION 90dB

**ENVIRONMENTAL RATINGS:**

- TEMPERATURE:..... -55°C TO +85°C (OPERATING)  
-65°C TO +125°C (STORAGE)
- HUMIDITY:..... MIL-STD-202G, METHOD 103B COND. B
- SHOCK:..... MIL-STD-202G, METHOD 213B COND. B
- VIBRATION:..... MIL-STD-202G, METHOD 204D COND. B
- ALTITUDE:..... MIL-STD-202G, METHOD 105C COND. B
- TEMPERATURE CYCLE:..... MIL-STD-202G, METHOD 107D COND. A

NOTE: SPECIFICATIONS WILL VARY OVER OPERATING TEMPERATURE  
NOTE: THE ABOVE SPECIFICATIONS ARE SUBJECT TO CHANGE OR REVISION



ALL DIMENSIONS ARE IN INCHES  
TOLERANCES:  
X.XX ±0.020  
X.XXX ±0.010

**AMERICAN MICROWAVE CORPORATION**

7311-G GROVE ROAD  
FREDERICK, MARYLAND 21704 USA  
TEL: 301-662-4700 FAX: 301-662-4938  
WEBSITE: [www.americanmicrowavecorp.com](http://www.americanmicrowavecorp.com)  
E-MAIL: [sales@americanmicrowavecorp.com](mailto:sales@americanmicrowavecorp.com)  
ISO 9001:2000 CERTIFIED



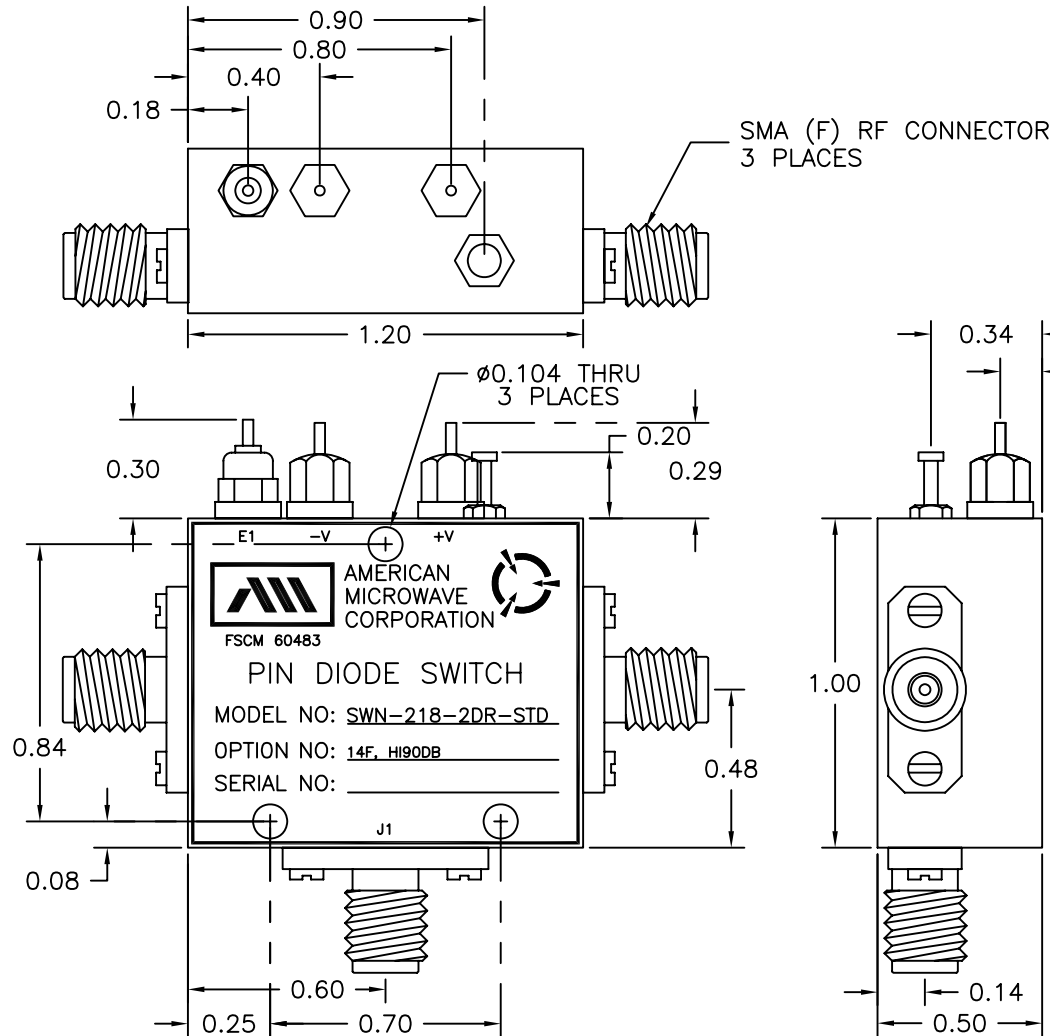
APPROVALS		DATE	TITLE			
DRAWN <i>PRB</i>		10/25/07	PRODUCT FEATURE SWN-218-2DR-STANDARD OPTIONS: 14F, HI90DB SOLID STATE SWITCH			
CHECKED			SIZE A	FSCM NO. 60483	DWG NO. 100-4427-127	REV. -
ISSUED			SCALE N:S	SHEET 1 OF 4		

**DESCRIPTION:**

AMC MODEL SWN-218-2DR-STD OPTION 14F, HI90DB IS A SINGLE POLE TWO THROW, REFLECTIVE SWITCH MODULE WITH VERY HIGH ISOLATION, LOW LOSS, HIGH SPEED AND WITH INTEGRAL TTL DRIVER, DESIGNED FOR BROAD BAND OPERATIONS.

REVISIONS				
ZONE	REV.	DESCRIPTION	DATE	APPROVED
	-	ORIGINAL RELEASE	10/25/07	

**MECHANICAL OUTLINE**



ALL DIMENSIONS ARE IN INCHES  
 TOLERANCES:  
 X.XX ±0.020  
 X.XXX ±0.010

**AMERICAN MICROWAVE CORPORATION**

7311-G GROVE ROAD  
 FREDERICK, MARYLAND 21704 USA  
 TEL: 301-662-4700 FAX: 301-662-4938  
 WEBSITE: [www.americanmicrowavecorp.com](http://www.americanmicrowavecorp.com)  
 E-MAIL: [sales@americanmicrowavecorp.com](mailto:sales@americanmicrowavecorp.com)  
 ISO 9001:2000 CERTIFIED



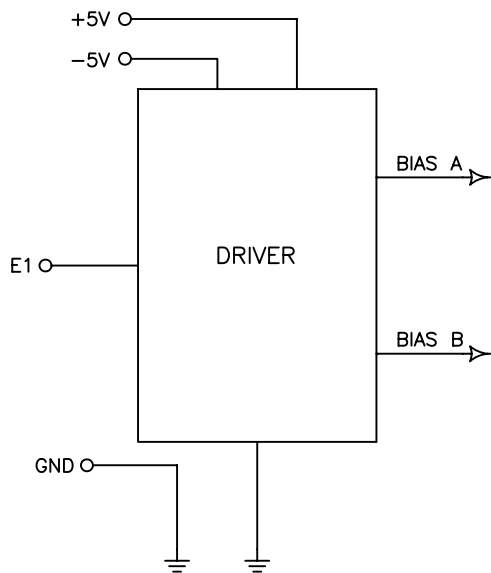
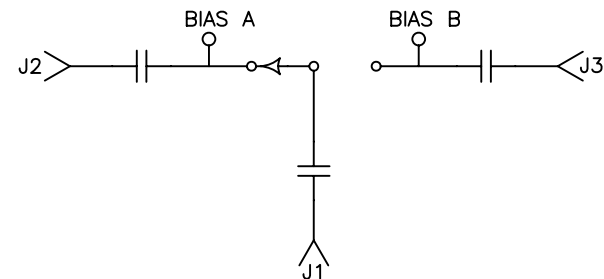
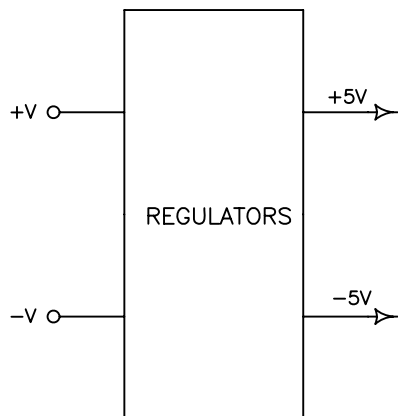
APPROVALS		DATE	TITLE		
DRAWN <i>PRB</i>		10/25/07	MECHANICAL OUTLINE SWN-218-2DR-STANDARD OPTIONS: 14F, HI90DB SOLID STATE SWITCH		
CHECKED			SIZE A	FSCM NO. 60483	DWG NO. 100-4427-127
ISSUED			SCALE N:S		REV. -
					SHEET 2 OF 4

**DESCRIPTION:**

AMC MODEL SWN-218-2DR-STD OPTION 14F, HI90DB IS A SINGLE POLE TWO THROW, REFLECTIVE SWITCH MODULE WITH VERY HIGH ISOLATION, LOW LOSS, HIGH SPEED AND WITH INTEGRAL TTL DRIVER, DESIGNED FOR BROAD BAND OPERATIONS.

REVISIONS				
ZONE	REV.	DESCRIPTION	DATE	APPROVED
	-	ORIGINAL RELEASE	10/25/07	

**FUNCTIONAL BLOCK DIAGRAM**



**CONFIDENTIAL AND PROPRIETARY**

**AMERICAN MICROWAVE CORPORATION**

7311-G GROVE ROAD  
 FREDERICK, MARYLAND 21704 USA  
 TEL: 301-662-4700 FAX: 301-662-4938  
 WEBSITE: [www.americanmicrowavecorp.com](http://www.americanmicrowavecorp.com)  
 E-MAIL: [sales@americanmicrowavecorp.com](mailto:sales@americanmicrowavecorp.com)  
 ISO 9001:2000 CERTIFIED



APPROVALS		DATE	TITLE		
DRAWN		10/25/07	FUNCTIONAL BLOCK DIAGRAM		
CHECKED			SWN-218-2DR-STANDARD		
ISSUED			OPTIONS: 14F, HI90DB		
SIZE	FSCM NO.	DWG NO.	REV.		
A	60483	100-4427-127	-		
SCALE N:S			SHEET	3 OF 4	